

WOOD STOVE INSTALLATION CHECKLIST

MASSACHUSETTS STATE
BUILDING CODE COMMISSION

PERMIT

A building permit is required for the installation of any solid fuel burning appliance. The building permit and installation inspection are limited to the stove installation and not to the stove construction.

STOVE

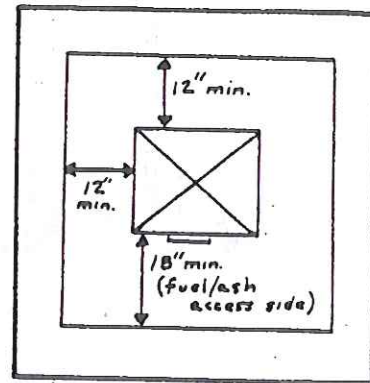
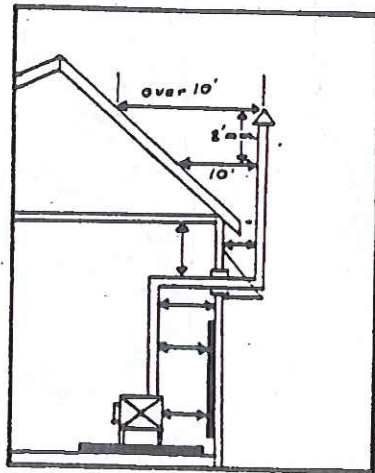
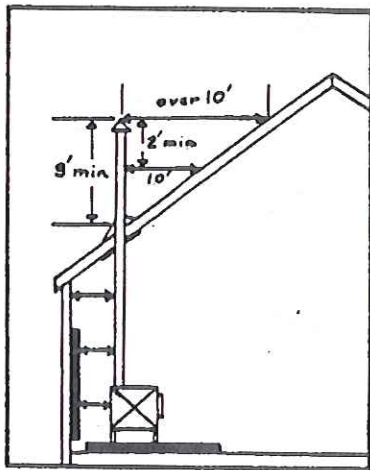
- A) Type/Radiant _____ Circulating _____
 B) Manufacturer _____ Test Label _____

(After July 1, 1979 only)

Name/Model No. _____ Collar Size _____
 Dimensions/Height _____ Length _____ Width _____

CHIMNEY

- A) New _____ Existing _____
 B) Size (flue area) _____
 C) Other appliances attached to flue (number and flue size) _____
 D) Metal (Manufacturer - Name and Type) _____
 E) Masonry/Lined _____ Flue Liner _____
 Unlined _____ Type & Manufacturer _____
 F) Height (refer to diagrams) _____ Cap _____



Hearth

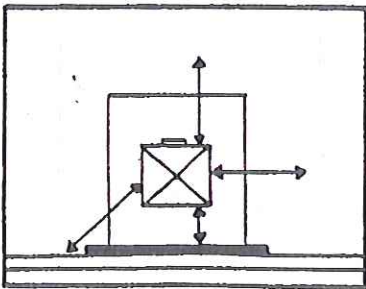
Chimney Height

HEARTH

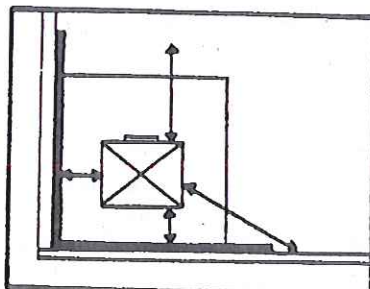
- A) Materials _____
 B) Sub-floor construction _____
 C) Minimum dimensions (refer to diagram)

CLEARANCE AND WALL PROTECTION (see stove installation clearances chart)

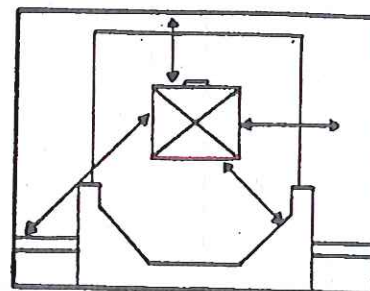
- A) Type of wall protection provided _____
 B) Clearances (refer to diagrams)



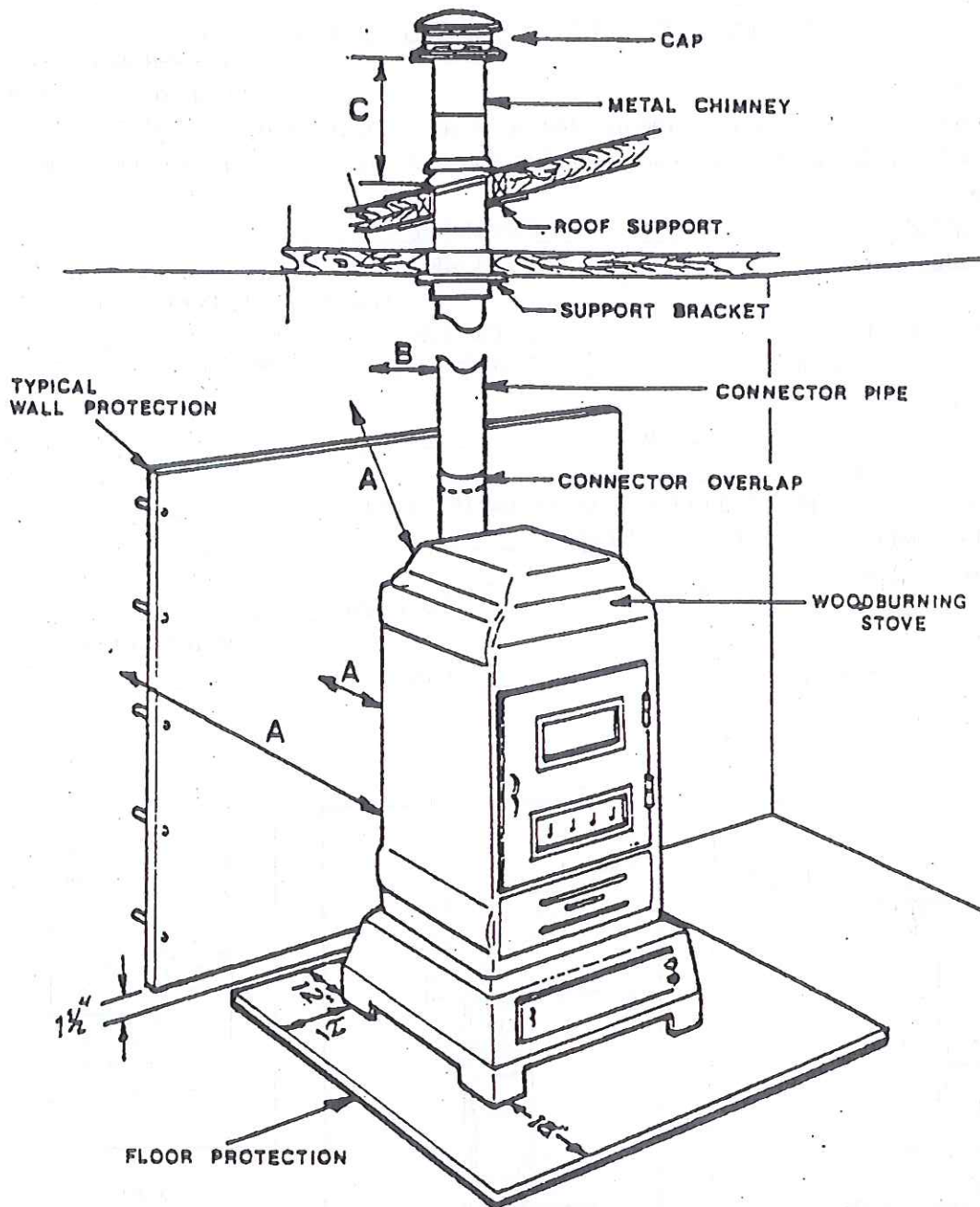
FIREPLACE



CORNER



WALL/CENTER



STOVE INSTALLATION CLEARANCES

| Stove Components | TYPICAL WALL PROTECTION | | | |
|--|--|----------------------------------|----------------------------------|-----------------|
| | Combustible Material | ½" Cement Board Spaced out 1" 3. | Concrete/Masonry Foundation Wall | 4" Brick Veneer |
| Radiant Stove 1. Front | 36" | -- | -- | -- |
| Circulating Stove 1. Front | 24" | -- | -- | -- |
| A. Radiant Stove 4. Side/Back | 36" | 18" | 6" | 18" |
| A. Circulating Stove Side/Back | 12" | 6" | 6" | 6" |
| B. Single Wall 2. Connector Pipe | 18" | 12" | 6" | 8" |
| B. Double Wall or Insulated Connector Pipe | 2 | 2 | 2 | 2 |
| C. Chimney Height (Metal or Masonry) | Three (3) feet above adjacent roof and Two (2) feet above any roof ridge within 10 feet | | | |
| D. Damper | If a damper is not included in the stove construction, it must be installed in the connector pipe, unless prohibited by manufactures specifications. | | | |

1. Front: Fuel or ash access side.
2. Thimble required for passage through combustible construction.
3. Non-combustible spacers required.
4. Clearances on each side of a radiant stove with a heat shield shall be measured as if a circulating type.

For other clearance reductions see BOCA Mechanical Chapter 11.