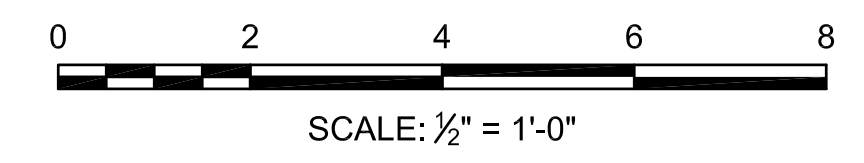
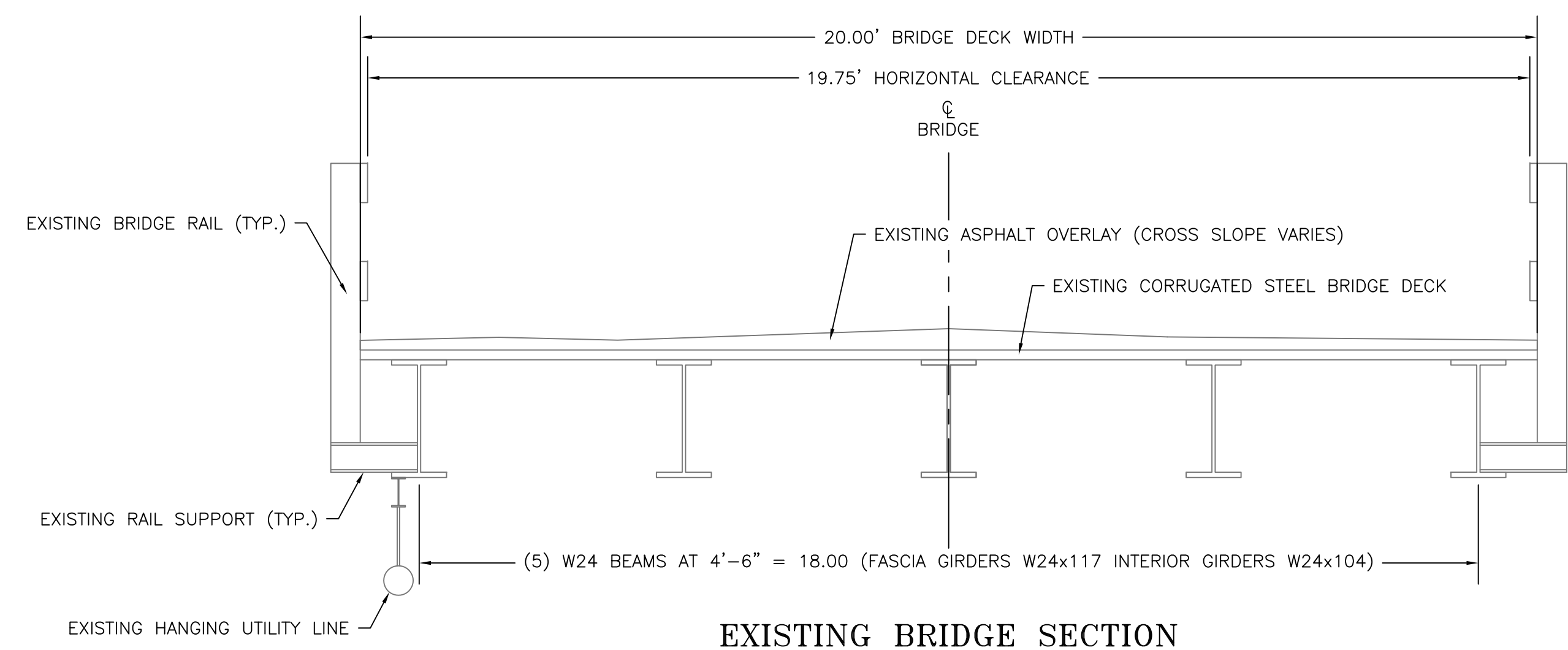



XREFs: [CDMS-2436] Images: [e:\cadd] C:\Users\smurphy\Desktop\Projects\Amherst, MA, Town of\Mill St Bridge\10 Transportation - 02 Engineering - 01 Roadway Design - 10 CADD\TSTS001.dwg
 Last saved by: MURPHYSP Time: 12/11/2013 12:35:29 PM
 © 2013 CDM SMITH. ALL RIGHTS RESERVED.
 REUSE OF DOCUMENTS: THESE DOCUMENTS AND DESIGNS PROVIDED BY PROFESSIONAL SERVICE, INCORPORATED HEREIN, ARE THE PROPERTY OF CDM SMITH AND ARE NOT TO BE USED, IN WHOLE OR PART, FOR ANY OTHER PROJECT WITHOUT THE WRITTEN AUTHORIZATION OF CDM SMITH.



DRAFT SUBMITTAL - NOT FOR CONSTRUCTION

REV. NO.	DATE	DRWN	CHKD	REMARKS

DESIGNED BY: S. MURPHY
 DRAWN BY: S. MURPHY
 SHEET CHK'D BY: W. COTTER
 CROSS CHK'D BY: L. SHERMAN
 APPROVED BY: L. SHERMAN
 DATE: OCTOBER 2013

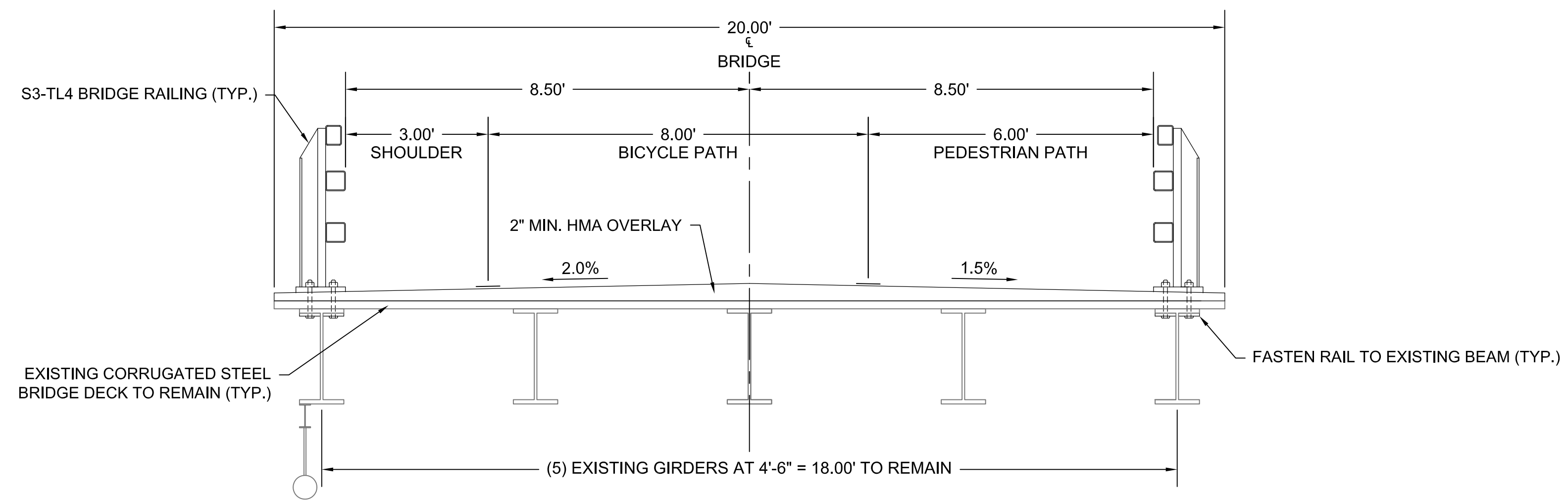

 50 Hampshire Street
 Cambridge, MA 02139
 Tel: (617) 452-6000

TOWN OF AMHERST, MA
**IMPROVEMENTS OF MILL STREET BRIDGE OVER
 MILL RIVER - TASK ORDER #11**

EXISTING BRIDGE SECTION

PROJECT NO. 0572-100568
 FILE NAME: TSTS001.dwg
 SHEET NO.
TS-1

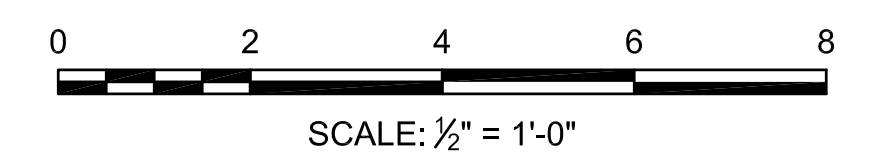
XREFs: [CDMS-2436] Images: [erial] Last saved by: MURPHYSP Time: 12/11/2013 12:35:29 PM C:\Users\murphy\My Documents\Projects\Amherst, MA, Town of\Mill St Bridge\10 Transportation - 02 Engineering - 01 Roadway Design - 10 CADD\TSTS001.dwg © 2013 CDM SMITH. ALL RIGHTS RESERVED. REUSE OF DOCUMENTS: THESE DOCUMENTS AND DESIGNS PROVIDED BY PROFESSIONAL SERVICE, INCORPORATED HEREIN, ARE THE PROPERTY OF CDM SMITH AND ARE NOT TO BE USED, IN WHOLE OR PART, FOR ANY OTHER PROJECT WITHOUT THE WRITTEN AUTHORIZATION OF CDM SMITH.



EXISTING BRIDGE STRUCTURE FOR PEDESTRIAN AND BICYCLE ACCESS

NOTES:

1. BOLLARDS SHALL BE INSTALLED ON EITHER SIDE OF THE BRIDGE TO PREVENT VEHICLE USE.
2. BICYCLE AND PEDESTRIAN LANE WIDTHS ARE BASED ON AASHTO GUIDE FOR THE DEVELOPMENT OF BICYCLE FACILITIES, 2012, 4TH EDITION.



DRAFT SUBMITTAL - NOT FOR CONSTRUCTION

REV. NO.	DATE	DRWN	CHKD	REMARKS

DESIGNED BY: S. MURPHY
 DRAWN BY: S. MURPHY
 SHEET CHK'D BY: W. COTTER
 CROSS CHK'D BY: L. SHERMAN
 APPROVED BY: L. SHERMAN
 DATE: OCTOBER 2013

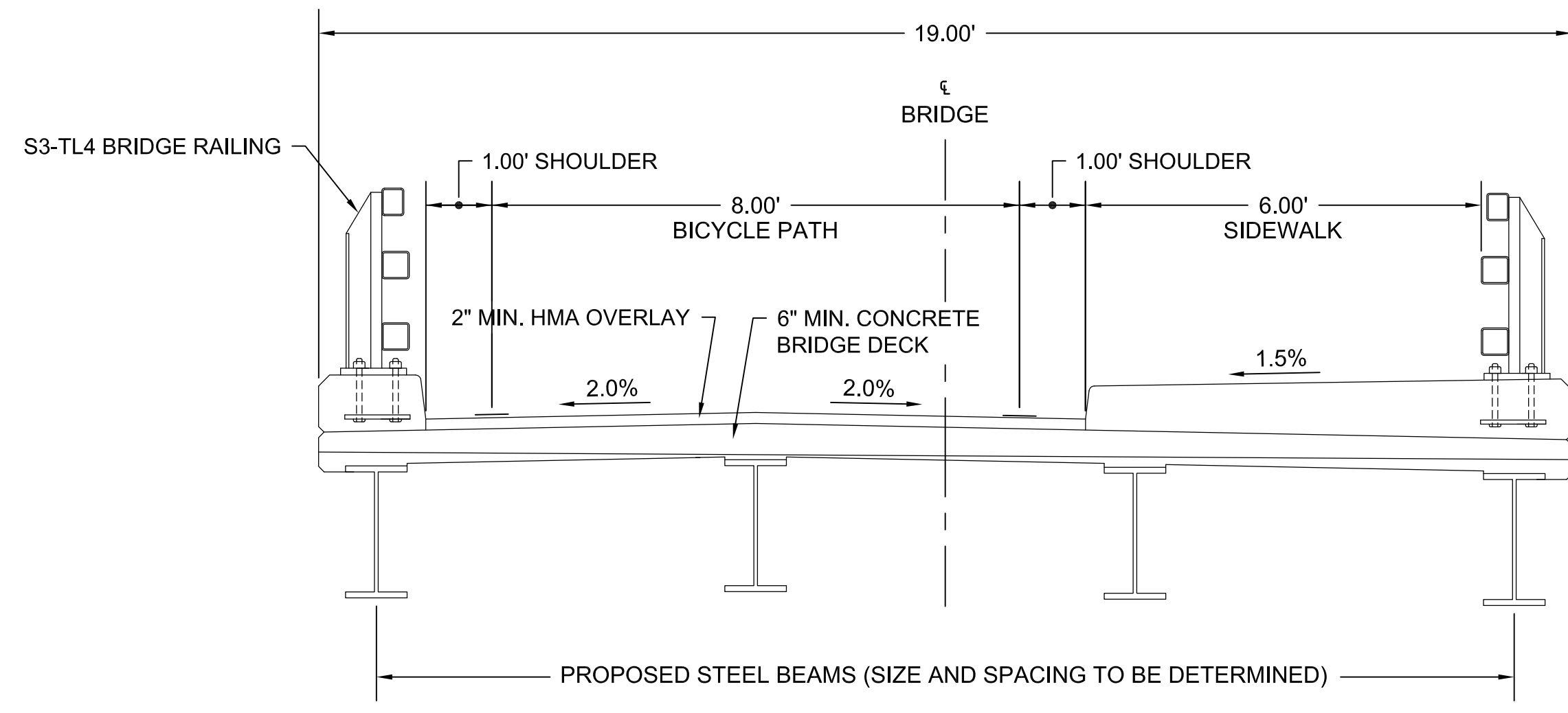
CDM Smith
 50 Hampshire Street
 Cambridge, MA 02139
 Tel: (617) 452-6000

TOWN OF AMHERST, MA
 IMPROVEMENTS OF MILL STREET BRIDGE OVER
 MILL RIVER - TASK ORDER #11

BRIDGE SECTION - ALTERNATIVE 1
 SHEET NO.
 TS-2

PROJECT NO. 0572-100568
 FILE NAME: TSTS001.dwg
 SHEET NO.
 TS-2

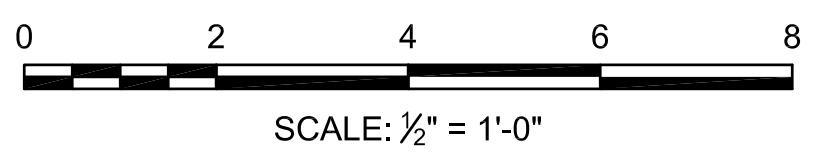
XREFs: [CDMS-2436] Images: [eric] C:\Users\murphy\Desktop\Projects\Amherst, MA, Town of\Mill St Bridge\10 Transportation - 02 Engineering - 01 Roadway Design - 10 CADD\TSTS001.dwg
 Last saved by: MURPHYSP Time: 12/13/2013 9:32:06 AM
 © 2013 CDM SMITH. ALL RIGHTS RESERVED.
 REUSE OF DOCUMENTS: THESE DOCUMENTS AND DESIGNS PROVIDED BY PROFESSIONAL SERVICE, INCORPORATED HEREIN, ARE THE PROPERTY OF CDM SMITH AND ARE NOT TO BE USED, IN WHOLE OR PART, FOR ANY OTHER PROJECT WITHOUT THE WRITTEN AUTHORIZATION OF CDM SMITH.



NEW BRIDGE WITH BICYCLE AND PEDESTRIAN ACCESS

NOTES:

1. BOLLARDS SHALL BE INSTALLED ON EITHER SIDE OF THE BRIDGE TO PREVENT VEHICLE USE.
2. BICYCLE AND PEDESTRIAN LANE WIDTHS ARE BASED ON AASHTO GUIDE FOR THE DEVELOPMENT OF BICYCLE FACILITIES, 2012, 4TH EDITION.



DRAFT SUBMITTAL - NOT FOR CONSTRUCTION

REV. NO.	DATE	DRWN	CHKD	REMARKS

DESIGNED BY: S. MURPHY
 DRAWN BY: S. MURPHY
 SHEET CHK'D BY: W. COTTER
 CROSS CHK'D BY: L. SHERMAN
 APPROVED BY: L. SHERMAN
 DATE: OCTOBER 2013

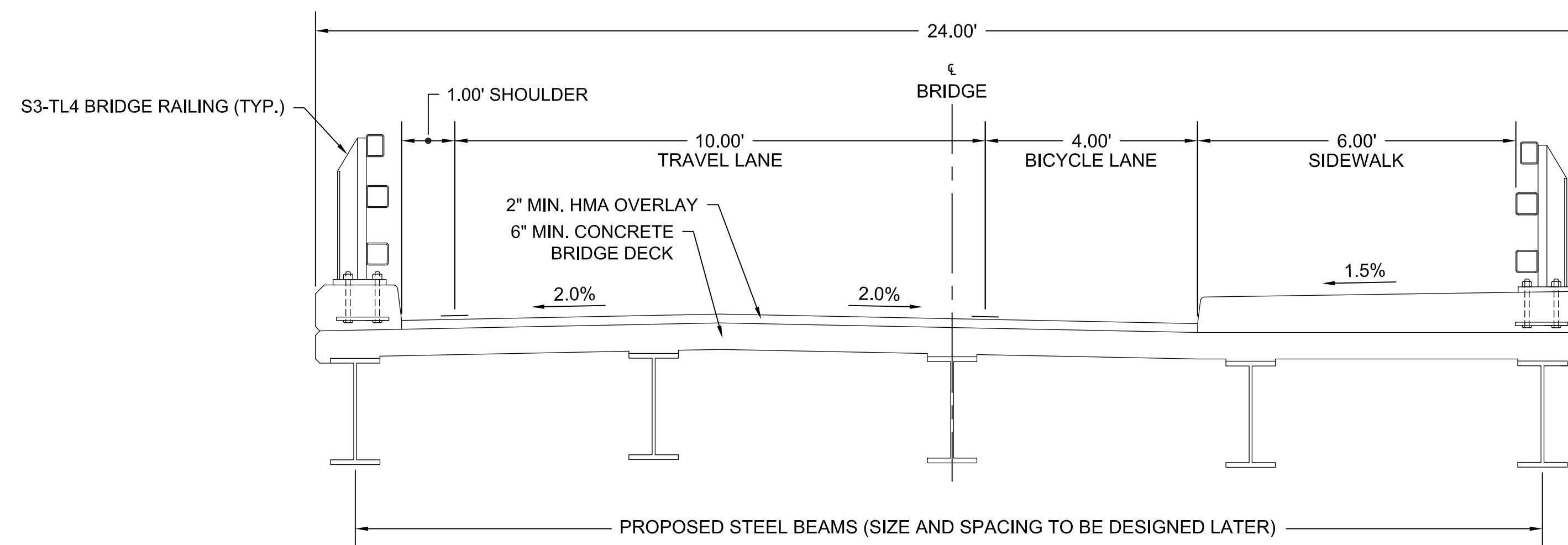

 50 Hampshire Street
 Cambridge, MA 02139
 Tel: (617) 452-6000

TOWN OF AMHERST, MA
 IMPROVEMENTS OF MILL STREET BRIDGE OVER
 MILL RIVER - TASK ORDER #11

BRIDGE SECTION - ALTERNATIVE 2

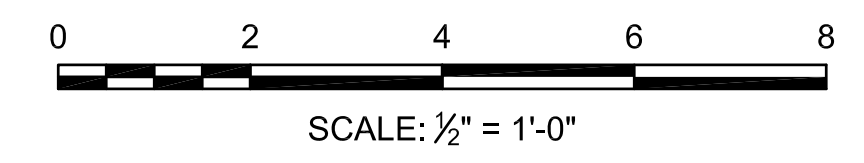
PROJECT NO. 0572-100568
 FILE NAME: TSTS001.dwg
 SHEET NO.
TS-3

XREFs: [CDMS-2436] Images: [eric] C:\Users\murphy\Desktop\Projects\Amherst, MA, Town of\Mill St Bridge\10 Transportation - 02 Engineering - 01 Roadway Design - 10 CADD\TSTS001.dwg
 Last saved by: MURPHYSP Time: 11/22/2013 12:48:41 PM
 © 2013 CDM SMITH. ALL RIGHTS RESERVED.
 REUSE OF DOCUMENTS: THESE DOCUMENTS AND DESIGNS PROVIDED BY PROFESSIONAL SERVICE, INCORPORATED HEREIN, ARE THE PROPERTY OF CDM SMITH AND ARE NOT TO BE USED, IN WHOLE OR PART, FOR ANY OTHER PROJECT WITHOUT THE WRITTEN AUTHORIZATION OF CDM SMITH.



NEW SINGLE LANE BRIDGE WITH
SINGLE LANE BICYCLE ACCESS AND
PEDESTRIAN ACCESS

NOTE:
BICYCLE AND PEDESTRIAN LANE WIDTHS ARE BASED ON
AASHTO GUIDE FOR THE DEVELOPMENT OF BICYCLE
FACILITIES, 2012, 4TH EDITION.



DRAFT SUBMITTAL - NOT FOR CONSTRUCTION

REV. NO.	DATE	DRWN	CHKD	REMARKS

DESIGNED BY: S. MURPHY
 DRAWN BY: S. MURPHY
 SHEET CHK'D BY: W. COTTER
 CROSS CHK'D BY: L. SHERMAN
 APPROVED BY: L. SHERMAN
 DATE: OCTOBER 2013

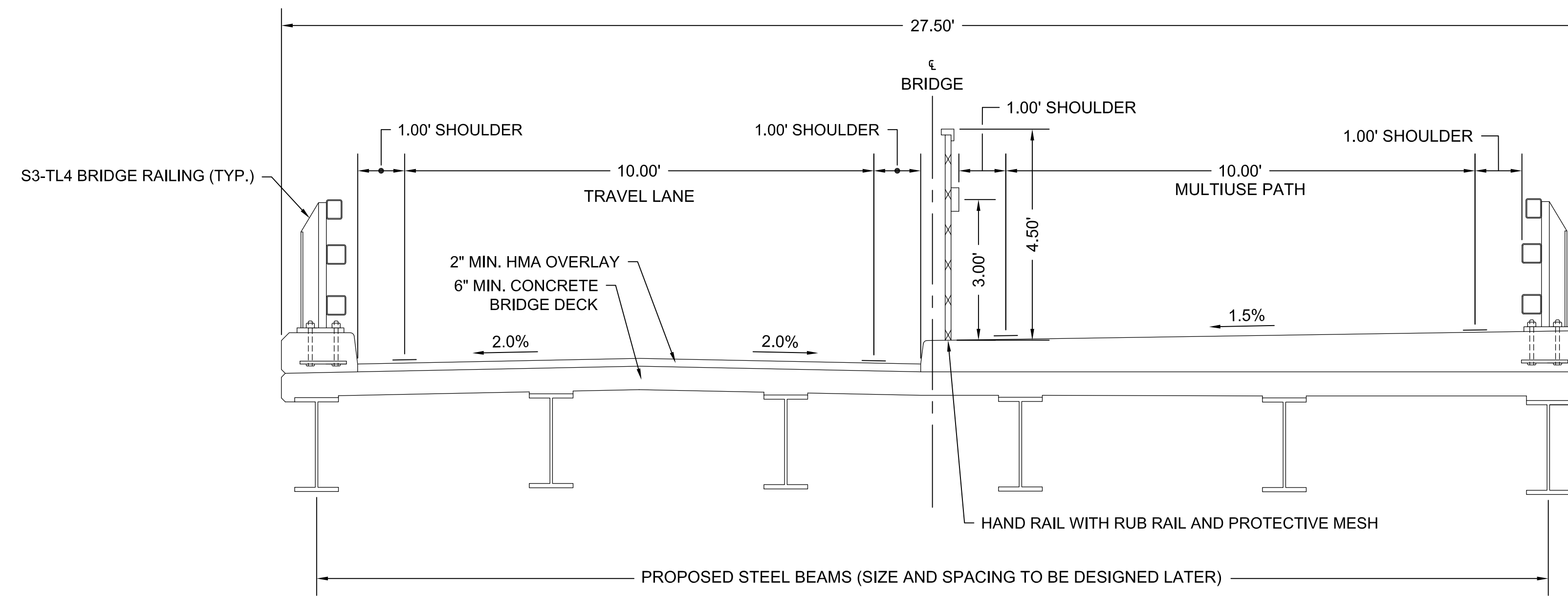

 50 Hampshire Street
 Cambridge, MA 02139
 Tel: (617) 452-6000

TOWN OF AMHERST, MA
 IMPROVEMENTS OF MILL STREET BRIDGE OVER
 MILL RIVER - TASK ORDER #11

BRIDGE SECTION - ALTERNATIVE 3
 SHEET NO.
TS-4

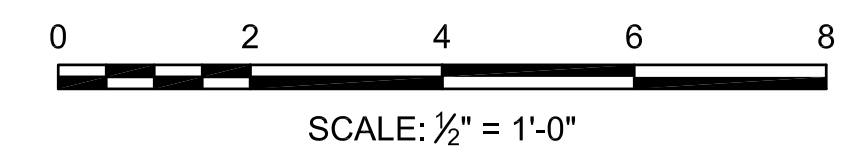
PROJECT NO. 0572-100568
 FILE NAME: TSTS001.dwg
 SHEET NO.
TS-4

XREFs: [CDMS-2436] Images: [ericol]
 Last saved by: MURPHYSP Time: 11/22/2013 12:48:41 PM
 C:\Users\murphy\My Documents\Projects\Amherst, MA, Town of\Mill St Bridge\10 Transportation - 02 Engineering - 01 Roadway Design - 10 CADD\TSTS001.dwg
 © 2013 CDM SMITH. ALL RIGHTS RESERVED.
 REUSE OF DOCUMENTS: THESE DOCUMENTS AND DESIGNS PROVIDED BY PROFESSIONAL SERVICE, INCORPORATED HEREIN, ARE THE PROPERTY OF CDM SMITH AND ARE NOT TO BE USED, IN WHOLE OR PART, FOR ANY OTHER PROJECT WITHOUT THE WRITTEN AUTHORIZATION OF CDM SMITH.



NEW SINGLE LANE BRIDGE WITH
MULTIUSE PATH

NOTE:
BICYCLE AND PEDESTRIAN LANE WIDTHS ARE BASED ON
AASHTO GUIDE FOR THE DEVELOPMENT OF BICYCLE
FACILITIES, 2012, 4TH EDITION.



DRAFT SUBMITTAL - NOT FOR CONSTRUCTION

REV. NO.	DATE	DRWN	CHKD	REMARKS

DESIGNED BY: S. MURPHY
 DRAWN BY: S. MURPHY
 SHEET CHK'D BY: W. COTTER
 CROSS CHK'D BY: L. SHERMAN
 APPROVED BY: L. SHERMAN
 DATE: OCTOBER 2013

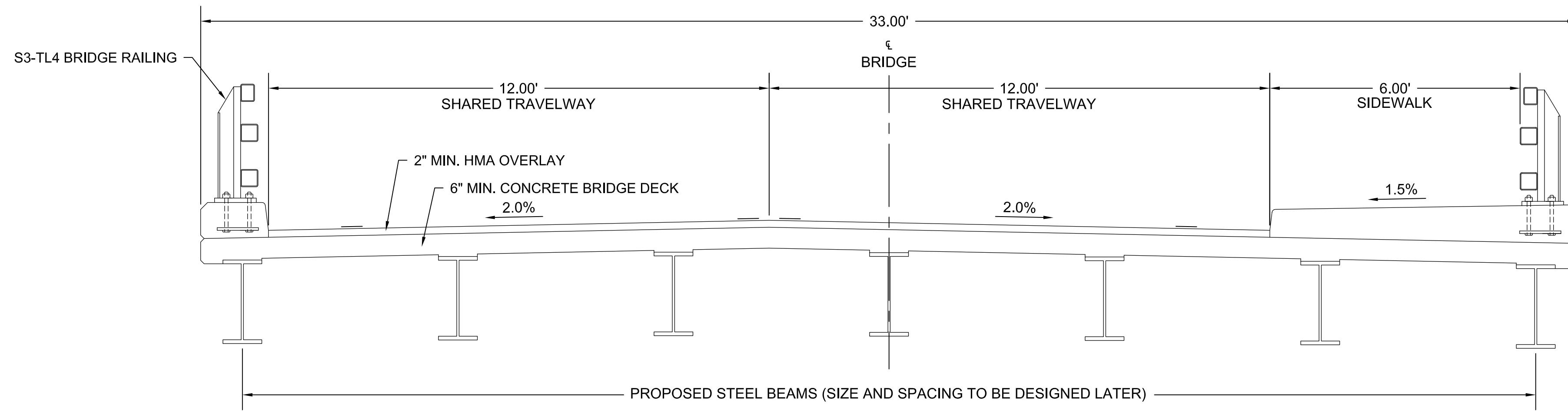

 50 Hampshire Street
 Cambridge, MA 02139
 Tel: (617) 452-6000

TOWN OF AMHERST, MA
 IMPROVEMENTS OF MILL STREET BRIDGE OVER
 MILL RIVER - TASK ORDER #11

BRIDGE SECTION - ALTERNATIVE 4
 SHEET NO.
 TS-5

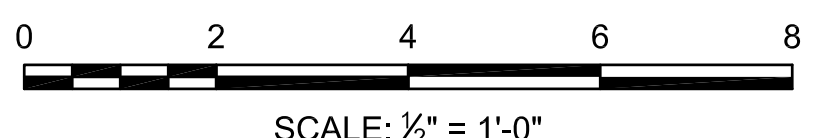
PROJECT NO. 0572-100568
 FILE NAME: TSTS001.dwg
 SHEET NO.
 TS-5

XREFs: [CDMS-2436] Images: [eric] C:\Users\murphy\Desktop\Projects\Amherst, MA, Town of\Mill St Bridge\10 Transportation - 02 Engineering - 01 Roadway Design - 10 CADD\TSTS001.dwg
 Last saved by: MURPHYSP Time: 12/13/2013 9:31:12 AM
 © 2013 CDM SMITH. ALL RIGHTS RESERVED.
 REUSE OF DOCUMENTS: THESE DOCUMENTS AND DESIGNS PROVIDED BY PROFESSIONAL SERVICE, INCORPORATED HEREIN, ARE THE PROPERTY OF CDM SMITH AND ARE NOT TO BE USED, IN WHOLE OR PART, FOR ANY OTHER PROJECT WITHOUT THE WRITTEN AUTHORIZATION OF CDM SMITH.



NEW TWO-LANE BRIDGE WITH
 SHARED TRAVELWAY AND
 PEDESTRIAN ACCESS

NOTE:
 BICYCLE AND PEDESTRIAN LANE WIDTHS ARE BASED ON
 AASHTO GUIDE FOR THE DEVELOPMENT OF BICYCLE
 FACILITIES, 2012, 4TH EDITION.



DRAFT SUBMITTAL - NOT FOR CONSTRUCTION

REV. NO.	DATE	DRWN	CHKD	REMARKS

DESIGNED BY: S. MURPHY
 DRAWN BY: S. MURPHY
 SHEET CHK'D BY: W. COTTER
 CROSS CHK'D BY: L. SHERMAN
 APPROVED BY: L. SHERMAN
 DATE: OCTOBER 2013

CDM Smith
 50 Hampshire Street
 Cambridge, MA 02139
 Tel: (617) 452-6000

TOWN OF AMHERST, MA
 IMPROVEMENTS OF MILL STREET BRIDGE OVER
 MILL RIVER - TASK ORDER #11

BRIDGE SECTION - ALTERNATIVE 5

PROJECT NO. 0572-100568
 FILE NAME: TSTS001.dwg
 SHEET NO.
TS-6