

ARTICLE 6 DIMENSIONAL REGULATIONS

SECTION 6.0 OVERVIEW

SECTION 6.1 INTERPRETATION

SECTION 6.2 FENCES

SECTION 6.3 FLAG LOTS

SECTION 6.4 FRONTAGE LOTS

SECTION 6.5 LOTS WITHIN THE FLOOD PRONE-CONSERVATION DISTRICT

SECTION 6.6 EDUCATIONAL & RELIGIOUS USES

TABLE 3 DIMENSIONAL REGULATIONS

SECTION 6.0 OVERVIEW

A lot may not be so reduced as to fail to satisfy any minimum dimension, area or yard required for a permitted principal use except as specified in Sections 4.3 and 4.4. Minimum lot area, frontage, setback and yard requirements, and maximum coverage and height limitations shall be prescribed in the following Table 3, "Dimensional Regulations."

Explanation of the column headings can be found in Section 6.1, Interpretation.

Dimensional regulations, shall be modified only as provided for under this Bylaw, including as indicated under Table 3 and its footnotes.

For non-conforming lots, see Section 9.1

For dimensional regulations in the Educational (ED) District, see Section 3.213

SECTION 6.1 INTERPRETATION

The following explanation shall apply to the column headings in Table 3.

6.10 Lot Area Requirements

- 6.100 A Buildable Lot shall contain either 90% of its total lot area, or 20,000 square feet, in contiguous upland acreage.
- 6.101 Basic Minimum Lot Area - Except as herein specified, no dwelling or other principal building shall be constructed or used on a lot having less than the prescribed basic minimum lot area in square feet.
- 6.102 Cluster Minimum Lot Area - No dwelling or other principal building in a Cluster Development shall be constructed or used on a lot having less than the prescribed cluster minimum lot area, in square feet.
- 6.103 Additional Lot Area Per Family - No dwelling for use by more than one family shall be constructed, converted, or occupied unless the lot contains at least the basic minimum area plus the prescribed additional area per family for each family in excess of one.

6.11 Standard Lot Frontage and Cluster Lot Frontage

- 6.110 Except as herein specified, no dwelling or other principal building shall be constructed or used on a lot having less frontage on a street than the prescribed minimum standard lot frontage, or cluster lot frontage in cluster development.
- 6.111 Such frontage shall be measured along a continuous street right-of-way line on which the lot abuts, except that the frontage of lots on the convex side of a curve in a street may be taken as the straight distance between the points on the side lot lines intersected by the prescribed minimum setback line. In the case of lots which have more than one-half of their frontage along the curve of a permanent turnaround (at the end of a dead end street) or of a similar curved street segment serving no more

than six (6) dwelling structures, said straight distance between the points on the side lot lines need not exceed seventy (70) percent of the prescribed minimum. On corner lots, where the included angle is less than 135 degrees, either street may be considered as the frontage street, but not both together. This requirement shall not apply to dwellings in a Planned Unit Residential Development.

6.112 In the General Business (B-G), Limited Business (B-L), Commercial (COM), Village Center Business (B-VC) and Neighborhood Business (B-N) districts, frontage requirements apply to Residence Uses only (Section 3.32).

6.12 Minimum or Maximum Front Setback

6.120 The minimum front setback shall be determined by a line parallel to the street right-of-way line extending from one side lot line to the other. No part of any building, except eaves, gutters, architectural elements, and uncovered steps, and no accessory structure (other than a sign) having a height of more than four (4) feet shall be placed within or protrude into the area between the setback line and the street line. In the case of corner lots, the setback line shall be observed for all bordering streets.

6.121 In the General Business (B-G) District, the 20 foot minimum front setback applies only to a part of a building which is within 200 feet of the side boundary of a Residence District abutting on the same street within the same block; otherwise, no setback is required.

6.13 Minimum Side Yard

6.130 The minimum side yard shall be the area between the side lot line and the side yard setback line, extending from the front yard to the rear lot line. No part of the body of any building or accessory structure, except eaves, gutters, architectural elements, and uncovered steps, shall be placed within or protrude into the area between the side lot line and the side yard setback line. An accessory structure may be located within the minimum side yard only if it is located behind the front building line.

6.131 An accessory structure having a height of six feet or less shall be set back a minimum of three feet from the side lot line. An accessory structure over six feet in height shall be setback a distance equal to its height.

6.132 In the General Business (B-G), Neighborhood Business (B-N), and Light Industrial (LI) districts, minimum side yards shall be at least 20 feet when adjoining a residence district. Otherwise, side yards are not required, but if provided, shall be at least 10 feet.

6.133 In the Office Park (OP) and Professional Research Park (PRP) districts, except as may be provided for specific uses, side yards shall be at least 50 feet when adjoining a residence district. Otherwise, side yards shall be at least 10 feet.

6.134 In the General Residence (R-G) District, a single-story garage, tool shed, gazebo or similar accessory structure may, under a Special Permit, be located within the side yard behind the frontline of the principal building if such use, location, and proposed dimensions are consistent with the prevailing pattern of existing development for such structures in the neighborhood.

6.135 In the General Residence (R-G), Neighborhood Residence (R-N), and Village Center Residence (R-VC) districts, a side yard need not be provided on one side of a single family dwelling if it shares a party wall or double wall with a single family dwelling on the next lot built at the same time.

6.136 For towers or other structures associated with commercial and public wireless communications uses, the provisions of Section 3.340.2 shall apply and prevail.

6.14 Minimum Rear Yard

6.140 The minimum rear yard shall be a similar unbroken area along the rear lot line, subject to the same

provision regarding accessory buildings and structures as the rear portion of the required side yard. No part of the body of any building or accessory structure, except eaves, gutters, architectural elements, and uncovered steps, shall be placed within or protrude into the area between the side lot line and the side yard setback line.

- 6.141 In the General Business (B-G), Neighborhood Business (B-N), and Light Industrial (LI) districts, minimum rear yards shall be at least 20 feet when adjoining a residence district. Otherwise, rear yards are not required, but if provided, shall be at least 10 feet.
- 6.142 In the Office Park (OP) and Professional Research Park (PRP) districts, except as may be provided for specific uses, rear yards shall be at least 50 feet when adjoining a residence district. Otherwise, rear yards shall be at least 10 feet.
- 6.143 For towers or other structures associated with commercial and public wireless communications uses, the provisions of Section 3.340.2 shall apply and prevail.

6.15 Maximum Building Coverage

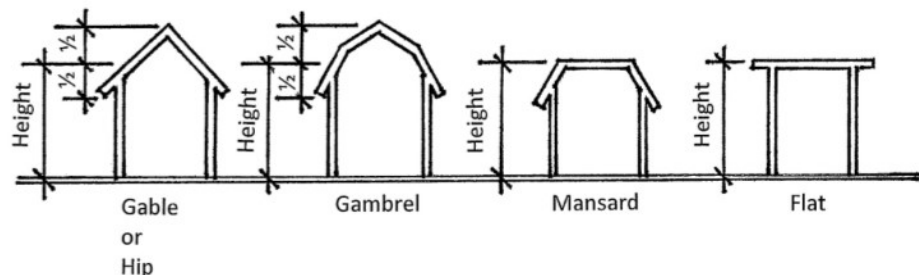
- 6.150 Maximum building coverage shall be computed as the percentage of the total lot area which may be covered by all principal and accessory buildings and structures. For the purposes of the subsection, a portion of a lot shall be considered as being covered by a structure if it is enclosed on at least three sides by a wall or other substantially sight-impervious fence more than six feet high (whether or not having a roof), or if it has any part of any structure above it in a vertical line.
- 6.151 In the case of a Cluster Development as defined in Section 4.3, building coverage shall be calculated as the percentage of the total area of the development which may be covered by all principal and accessory buildings and structures.

6.16 Maximum Lot Coverage

- 6.160 Maximum lot coverage shall include the percentage of a lot covered in the manner described in Section 6.17, Maximum Building Coverage, plus that portion of a lot covered by driveways, parking areas, walkways, tennis courts, swimming pools or other similar surfaces.
- 6.161 For the purposes of this Bylaw, all such surfaces, whether constructed of impermeable materials (i.e., concrete, bituminous asphalt, oil and stone and the like) or constructed of permeable materials (i.e., gravel, pea stone and the like) shall be included in the calculation of maximum lot coverage.
- 6.162 In the Watershed Protection (WP) overlay district, no use of land shall result in the rendering impermeable of more than 15% of the total area of any lot, or more than 20% with artificial recharge, or a total of 2,500 square feet, whichever is greater.

6.17 Minimum and Maximum Height

- 6.170 In all districts, the minimum or maximum height of a building shall be measured as the vertical distance from the average finished grade on the street side of the structure to the highest point of the roof for flats roofs, to the deck line for mansard roofs, and to the average height (midpoint) between the highest eaves and ridge of the main body of the roof for gable, hip, shed, saltbox, and gambrel roofs, or combinations thereof.



- 6.171 In the B-G, B-L, B-VC, B-N, COM, and R-VC districts, the maximum height of buildings may be modified under a Special Permit granted by the Special Permit Granting Authority authorized to act under the provisions of this bylaw for compelling reasons of building function, utility, or design, including but not limited to allowing construction of the full number of maximum floors under difficult site conditions such as steep grades, or with a pitched roof design, or similar conditions. In granting any such modification, the Special Permit Granting Authority shall consider the patterns of height and roof styles established by existing buildings, structures, and landscape features in the surrounding area, and provided that in no case shall the height of any exterior face of a building exceed the permitted height by more than ten (10) feet.
- 6.172 Height limitations shall not apply to chimneys, spires, cupolas, TV antennae and other parts of buildings or structures not intended for human occupancy. Towers, antennae, panels, dishes and other such structures attached to a building in association with commercial and public wireless communication uses shall not exceed the maximum height of said building, as above defined, by more than ten feet. Related electronic equipment and equipment structures shall not exceed the maximum height. For towers and other such free-standing structures associated with wireless communications uses, the provisions of Section 3.340.2 shall apply and prevail.

6.18 Minimum or Maximum Floors

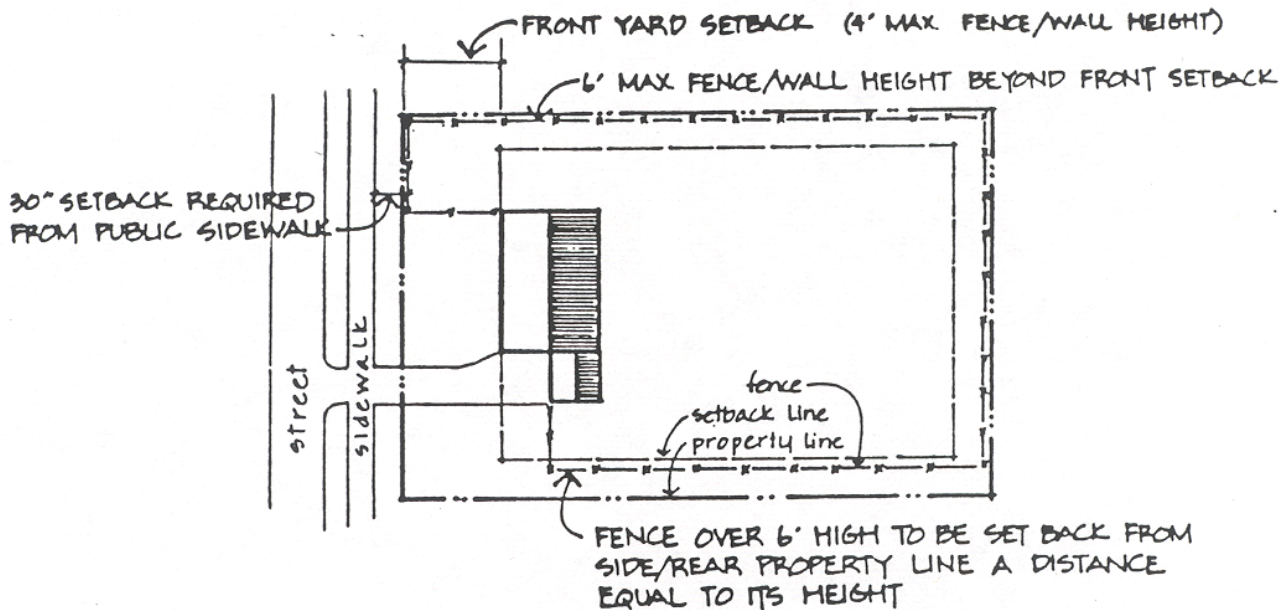
- 6.180 A floor or story in a residential or non-residential building shall be considered to be that portion of a building, other than a half-story in a top floor (attic) or basement, between any floor and the ceiling or roof next above it, as measured under the Massachusetts Building Code.
- 6.181 A half-story in a top floor shall be a lawful habitable space with required means of access and egress and in which a minimum seven (7) foot floor-to-ceiling height exists in at least half of the habitable floor area but no less than one-third of the habitable floor area of the full story below.
- 6.182 A basement half story shall be any lawful habitable space with required means of access and egress and in which a minimum seven (7) foot floor-to-ceiling height exists in at least half of the habitable floor area but no less than one-third of the habitable floor area of the full story above, and where more than half of the habitable space is located above the average finished grade of the exterior of the building.

SECTION 6.2 FENCES

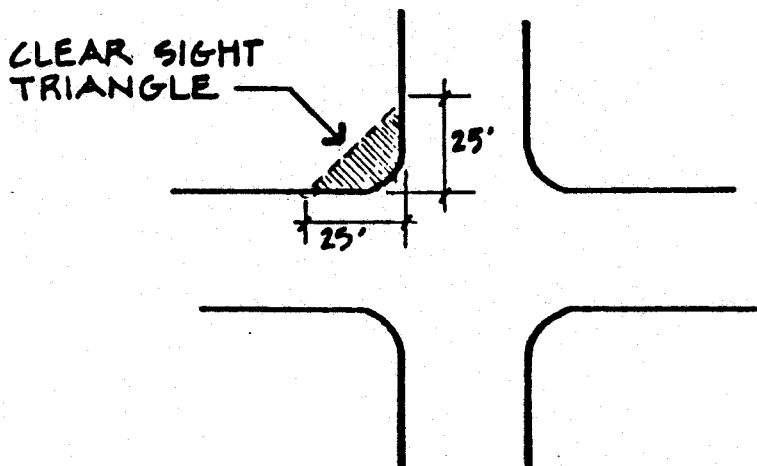
- 6.20 Fences – Fences, walls, or any similar structure, shall be considered accessory structures and shall be permitted within the required front, side, and rear yards subject to the conditions and requirements of Sections 6.22 through 6.29, except that fences in the B-G and abutting B-L Districts and in the B-VC and B-N Districts shall require approval of the Permit Granting Board or Special Permit Granting Authority with jurisdiction over the proposed or existing Principal or accessory use(s) for which the fence serves as an accessory structure.
- 6.21 Plantings/Shrubbery - Landscape plantings shall be permitted in the required yards subject to the conditions and requirements of Sections 6.23 and 6.27.
- 6.22 Fences associated with agricultural uses on parcels of land of five (5) acres or larger are exempt from the regulations of Sections 6.2. Razor fences are prohibited.
- 6.23 All privately owned fences or walls shall be erected on private property and shall be no closer to any public

sidewalk than thirty (30) inches. No landscape plantings shall intrude into or over a public sidewalk for a height of eight feet above the sidewalk.

- 6.24 Fences and walls shall not exceed four (4) feet in height along the front lot line and that portion of the side lot lines between the front lot line and the minimum front setback line. Fences and walls shall not exceed six (6) feet in height along that portion of side lot lines between the minimum front setback line and rear lot line, and along the rear lot line.
- 6.25 Fences located within the side or rear yards and exceeding six feet in height shall be set back a distance equal to their height.



- 6.26 All fences, including temporary construction fences, but excepting agricultural fences as defined in Section 6.22, shall require a building permit.
- 6.27 On corner lots, no fence, wall or landscape/plantings shall be located within the clear sight triangle so as to obstruct visibility at the intersection in a manner that will jeopardize the safety of vehicles and pedestrians. The clear sight triangle is that area formed by the intersecting street lines and a straight line joining said street lines at a point twenty-five (25) feet distant from the point of intersection of street lines.



- 6.28 Temporary fences on construction sites may be a maximum height of eight (8) feet to protect the site,

providing the fence meets the requirements of Section 6.27. The Building Commissioner, upon the issuance of a building permit, may set a limit as to the length of time the fence may remain erected.

- 6.29 Under the provisions of Section 10.38 or 11.24, as applicable, fence, wall, and planting requirements as found in Sections 6.23 through 6.28 may for compelling reasons of safety, aesthetics, or site design be modified by the Permit Granting Board or Special Permit Granting Authority with jurisdiction over the proposed or existing Principal or accessory use(s) for which the fence serves as an accessory structure.

SECTION 6.3 FLAG LOTS

In the Office Park (OP), General Residence (R-G), Village Center Residence (R-VC), Neighborhood Residence (R-N), Outlying Residence (R-O), and Low Density Residence (R-LD) Districts only, individual lots which do not have the required amount of street frontage may be permitted under the following conditions:

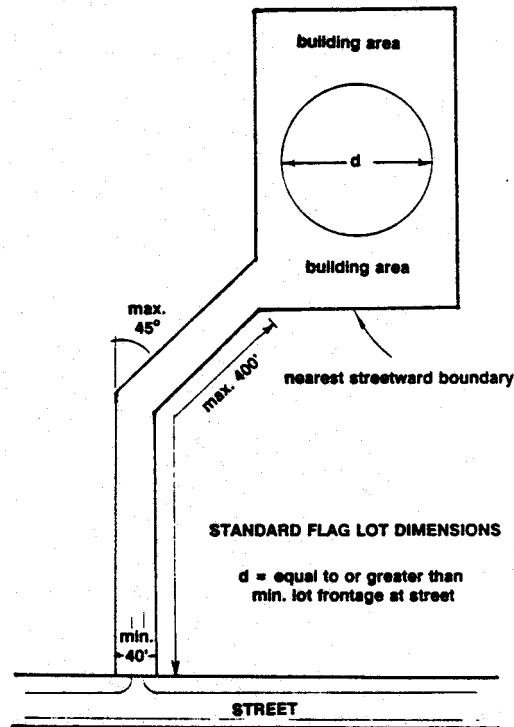
- 6.30 Any such lot which is included within a Definitive Subdivision Plan may be allowed by the Planning Board provided the lot meets all of the requirements of Section 6.32 through Section 6.37.
- 6.31 Any such lot which is not part of an Approved Definitive Subdivision Plan, may be allowed by the Zoning Board of Appeals by Special Permit provided that the lot meets all of the requirements of Section 6.32 through 6.37.
- 6.32 The area of each flag lot, exclusive of the access strip, shall be at least double the minimum lot area normally required for that district, except in a Cluster Subdivision, in which case it shall be at least double the minimum lot area required for a cluster lot in that district. In the FC District, the area of flag lots shall be as provided for in Sections 3.2832, 4.3271 and 4.3272.
- 6.33 Each lot shall have an access strip with a minimum street frontage of forty feet, a minimum width of forty feet at any point between the street and the principal building, and a maximum length of four hundred feet, after which distance the access strip shall end and the building area of the lot shall begin. Where driveway access to a principal building is achieved over the access strip of the lot, then said access strip shall have no change of direction greater than 45 degrees.

For any flag lot included within a Definitive Subdivision Plan, the Planning Board may allow an access strip in excess of 400 feet as part of its subdivision approval if it judges the proposed modification to be in conformance with the intent of Sections 6.330-6.335.

For any flag lot which is not part of a Definitive Subdivision Plan, the Zoning Board of Appeals, acting as the Special Permit Granting Authority, may allow an access strip in excess of 400 feet upon a finding that such a modification will:

- 6.330 Not have a substantial detrimental impact on the declared intent and purposes of any overlay district in which the land is situated.
- 6.331 Not create an undue safety hazard.
- 6.332 Not have a substantial adverse environmental impact on groundwater quality, wetlands, significant wildlife habitat, prime farmland or other environmentally sensitive resources.
- 6.333 Not remove, destroy or obstruct prominent natural features and views.
- 6.335 Not remove, destroy or irrevocably alter significant historical, archeological and/or cultural resources.
- 6.34 The width of that portion of the lot where the principal building is to be constructed, known as the building area, shall equal or exceed the distance normally required for street frontage in that district. Said width shall be measured along the nearest continuous streetward boundary of the building area of the lot. In a Cluster Subdivision, the width of the lot where the principal building is to be constructed shall equal or exceed the distance required for cluster lot frontage in that district.

- 6.35 That portion of a flag lot within which the principal building is to be located shall be considered the building area. The building area of a flag lot shall be capable of containing a circle whose diameter is equal to or greater than the minimum standard street frontage required in the district where the flag lot has its frontage, without any portion of said circle falling outside of the property.

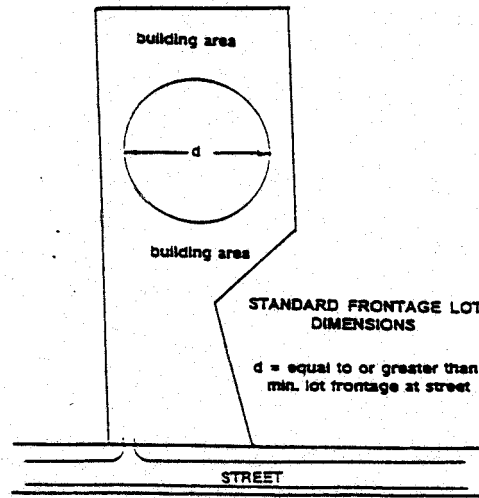


SECTION 6.35 - ILLUSTRATION
For Informational Purposes Only

- 6.36 There shall be no more than three flag lots adjacent to each other at the street line.
- 6.37 Access to the lot shall meet the requirements of Section 7.7.
- 6.38 There shall be no more than three (3) flag lots created from any land identified, according to the records of the Assessor's office, as a single parcel of land as of the effective date of this Section (11/9/87) unless such flag lots are proposed as part of the Definitive Subdivision.

SECTION 6.4 FRONTAGE LOTS

6.40 That portion of a frontage lot within which the principal building is to be located shall be considered the building area. The building area of a frontage lot shall be capable of containing a circle whose diameter is equal to or greater than the minimum standard street frontage required in the district where the lot has its frontage, without any portion of the circle falling outside of the property.



**SECTION 6.40 - ILLUSTRATION
For informational Purposes Only**

SECTION 6.5 LOTS WITHIN THE FLOOD PRONE-CONSERVANCY DISTRICT

If any portion of a lot falls within the Flood Prone-Conservancy District, that portion may be used to meet the minimum lot area and yard requirements for the District in which the remainder of the lot is situated.

SECTION 6.6 EDUCATIONAL AND RELIGIOUS USES

The dimensional regulations shown in Table 3 shall apply to all educational and religious uses located in the zoning districts listed, except as provided for below:

6.60 All structures approved after January 1, 1994, by a permit granting authority for educational or religious uses shall have minimum front, side and rear setbacks twice the distance shown in Table 3 for that zoning district, except in the B-G District where the setbacks in Table 3 shall apply.